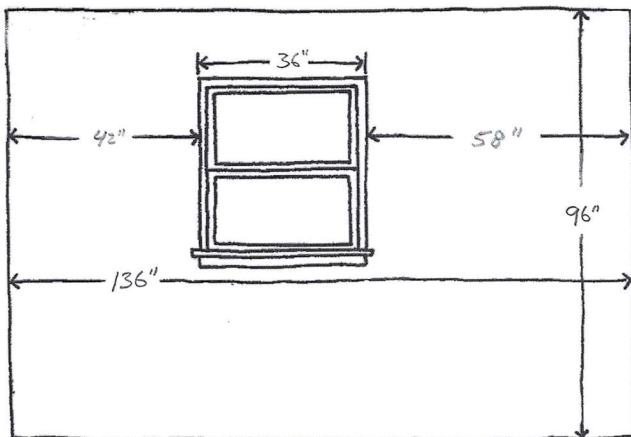
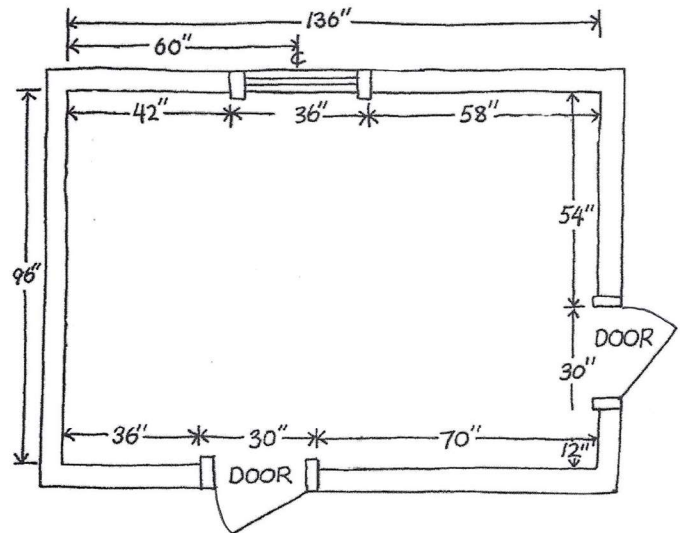


How to Measure your Kitchen

Use our handy guide to help you measure your kitchen. This will give our designers rough measurements to give you an estimate. Don't worry, one of our expert designers will come out and measure your project before ordering.

1. On the graph paper provided draw the overall shape of the room. Be sure to include all windows, doors and bump-outs in the walls.

*When measuring windows and doors, be sure to include the trim. Measure from the outside to the other outside edge.



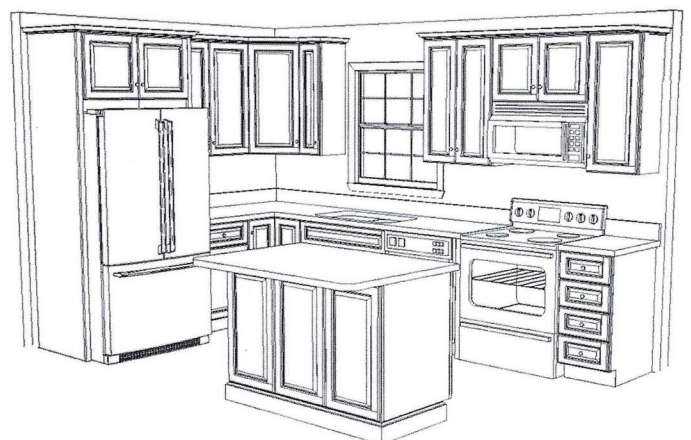
2. Measure the ceiling height. If you have a soffit please provide two heights, one floor to ceiling and the other floor to the bottom of the soffit.

4. Note important items such as light switches, outlets, heat vents, pipes, etc.

5. Fill out the appliance spec sheet so we can leave enough room for your appliances.

Once you have completed measuring and filling out the info sheets please Email them to your designer or fax to **603-924-8414**. We can then begin to work on an estimate for you.

We look forward to seeing you soon!



Pro Stock
KITCHENS

